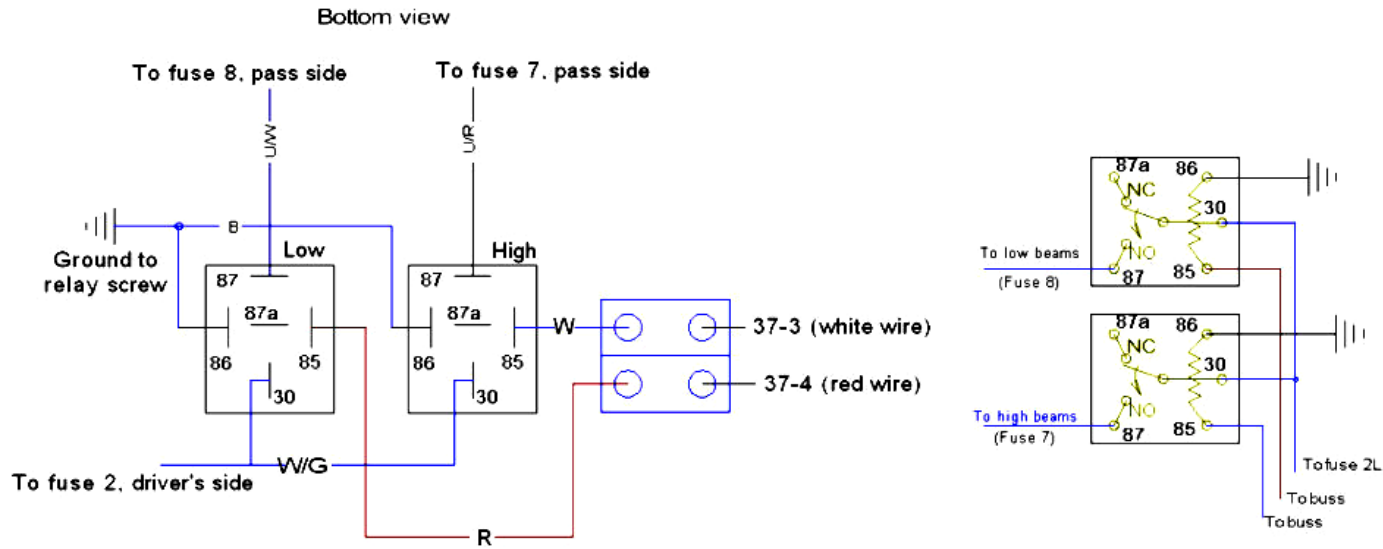


Headlight Relay Addition



Procedure

- Mount the connection buss over the fusebox as shown.
- Disconnect the white and red wires currently going to fuses 7 and 8.
- Connect those wires to the buss as shown in the bottom picture.
- Connect the white and red wires from the relays to the buss as shown above.
- Connect the W/G wire from relay to fuse 2 (on top of the existing connection).
- Locate the relay sockets on the firewall. Make sure that their location doesn't interfere with the throttle linkage. Drill holes for the screws and secure the relay sockets.
- Replace number 2 fuse with a 30A fuse.

