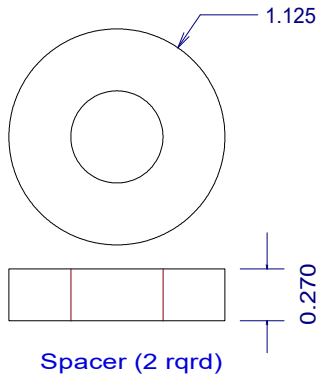


Made in pairs.
 The right bracket is
 illustrated. The left
 one is a mirror image.

Top

UP



Era Replica Auto.
 608-612 E. Main St.
 New Britain, CT 06051
 Tel. 203-224-0253
 Fax: 203-827-1055

All dim's in INCHES	
Scale: 100%	
Drawing: cob\brakes\mach\jfzbrac	
Part description: Brake bracket, front Cobra optional	
Material: CR steel	
Tolerances: .005" or as noted	
Surface finish in μ in. RMS:	
Comments: In pairs. Right side illustrated Left side mirror image	
Revisions:	
Design #:	
Drawn by: Bob Putnam	Date: 09/27/93